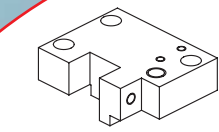


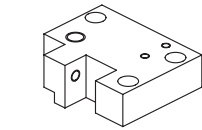


MAZAK NEXUS SQT100/150



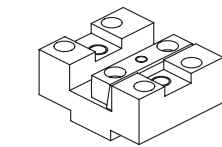
123-33801

Face and O.D.
cutting holder



123-33802

Face and O.D.
cutting holder

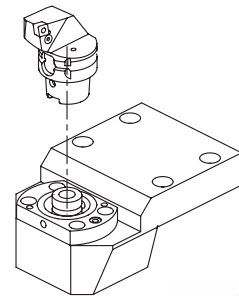


122-13801

Face and I.D.
cutting holder



Qualified tool
20x20 mm



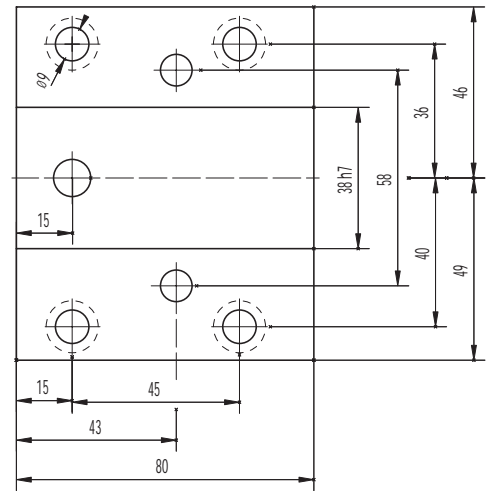
121-23803

Face and O.D.
cutting holder

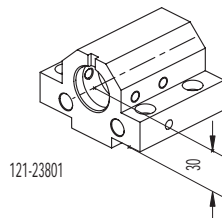
HSK 40 A+C



CONNECTION



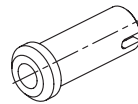
ACCESSORIES



121-23801

Boring bar holder

Ø32 mm



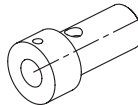
Drill socket

114-33215 <MT1>
114-33216 <MT2>



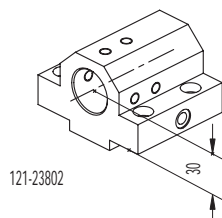
Boring bar sleeve

165-63241 (Ø8 mm)
165-63242 (Ø10 mm)
165-63243 (Ø12 mm)
165-63244 (Ø16 mm)



Boring bar sleeve

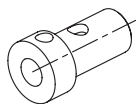
165-63245 (Ø20 mm)
165-63246 (Ø25 mm)



121-23802

Toolholder
for insert drill
with internal coolant

Ø32 mm



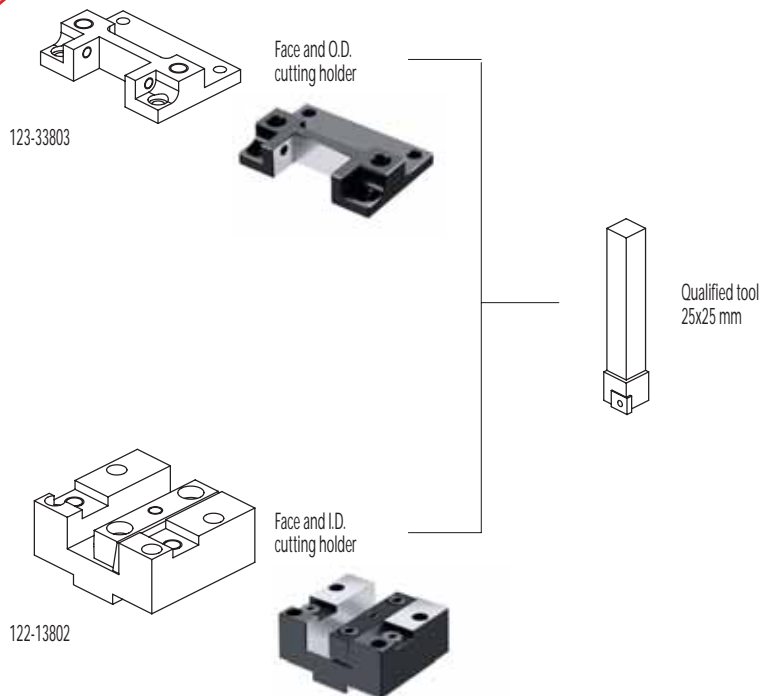
Throw-away drill socket

165-63247 (Ø20 mm)
165-63248 (Ø25 mm)

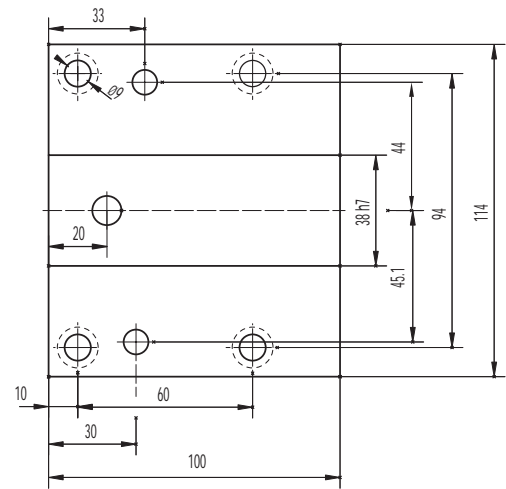


MAZAK NEXUS

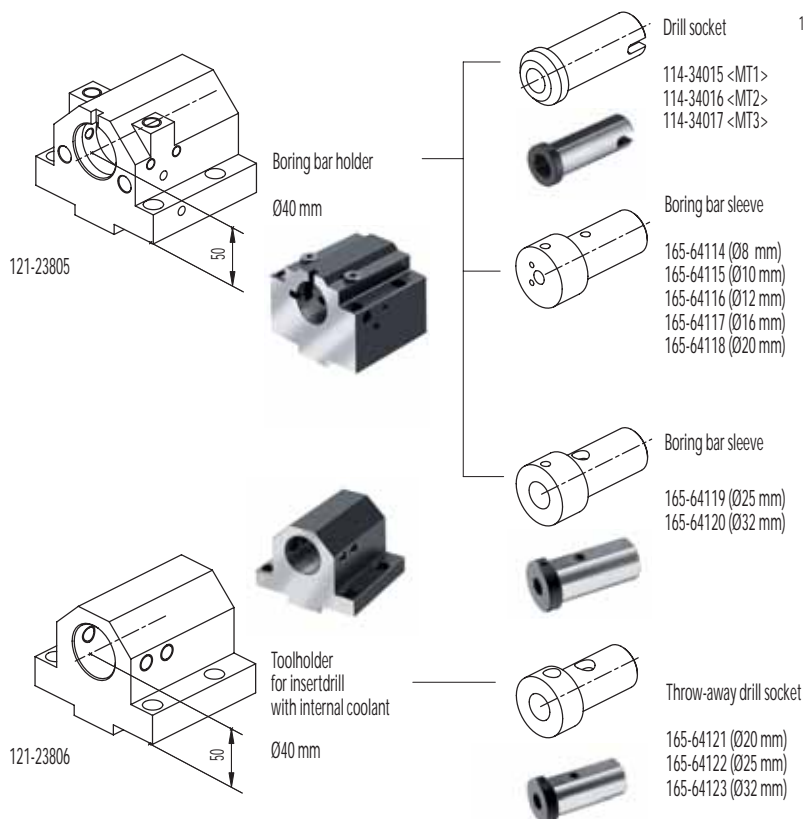
SQT200/250



CONNECTION



ACCESSORIES





WFL Millturn 120 (HSK100)

ICTM STANDARD



H100APCLNL/R16



H100APDJNL/R15



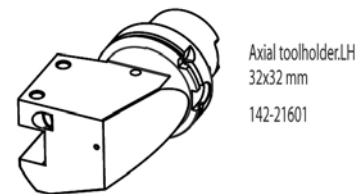
H100APDQNL/R15



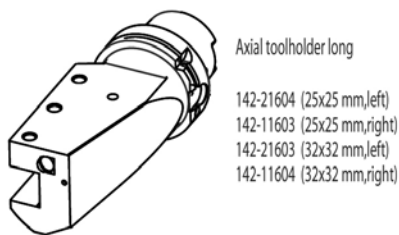
H100APSNL/R19



Axial toolholder.RH
32x32 mm
142-11601



Axial toolholder.LH
32x32 mm
142-21601



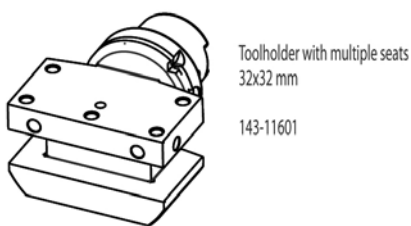
Axial toolholder long
142-21604 (25x25 mm,left)
142-11603 (25x25 mm,right)
142-21603 (32x32 mm,left)
142-11604 (32x32 mm,right)



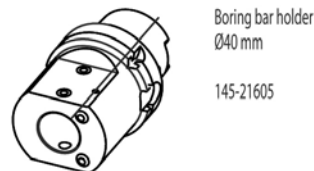
Axial toolholder
25x25 mm
142-21605 (left)
142-11605 (right)



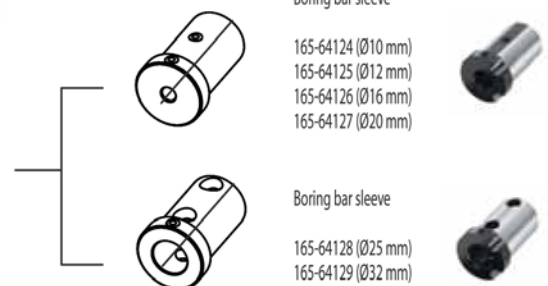
Toolholder 45°
25x25 mm
141-11601



Toolholder with multiple seats
32x32 mm
143-11601

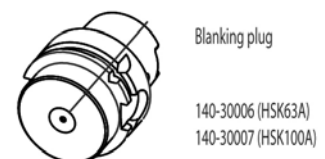


Boring bar holder
Ø40 mm
145-21605



Boring bar sleeve
165-64124 (Ø10 mm)
165-64125 (Ø12 mm)
165-64126 (Ø16 mm)
165-64127 (Ø20 mm)

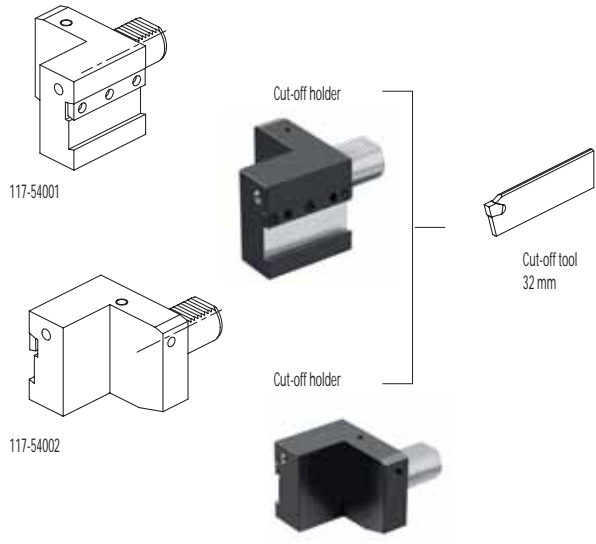
Boring bar sleeve
165-64128 (Ø25 mm)
165-64129 (Ø32 mm)



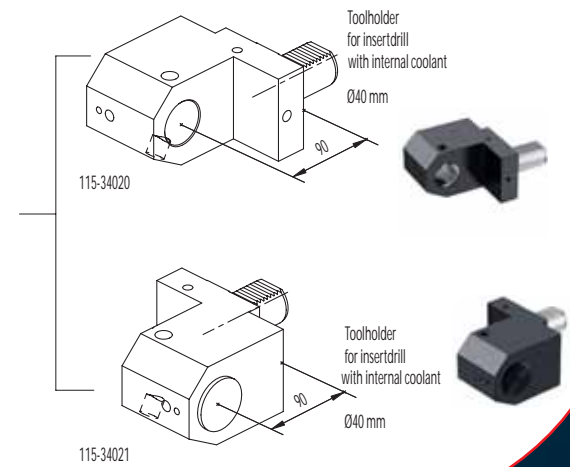
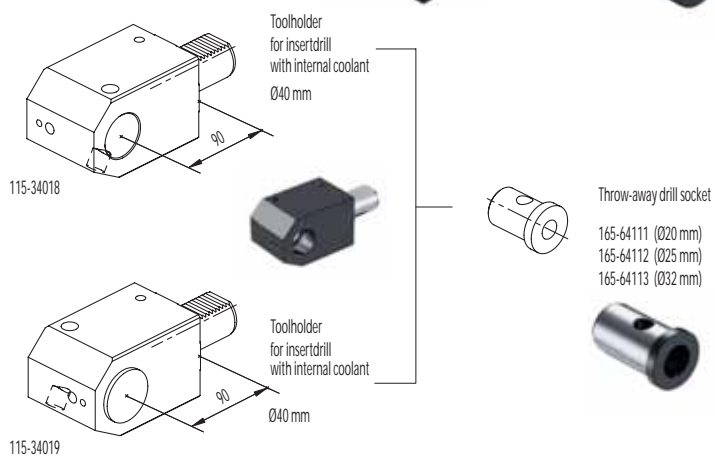
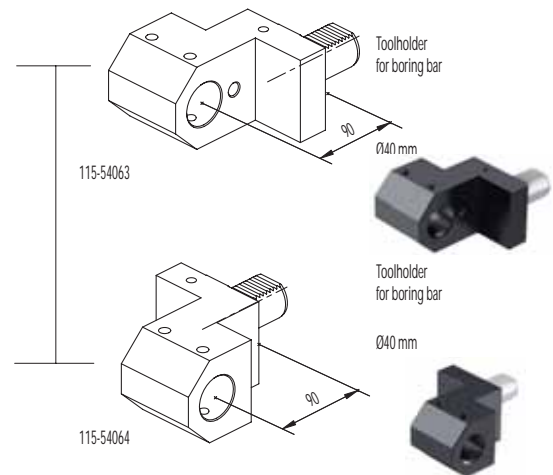
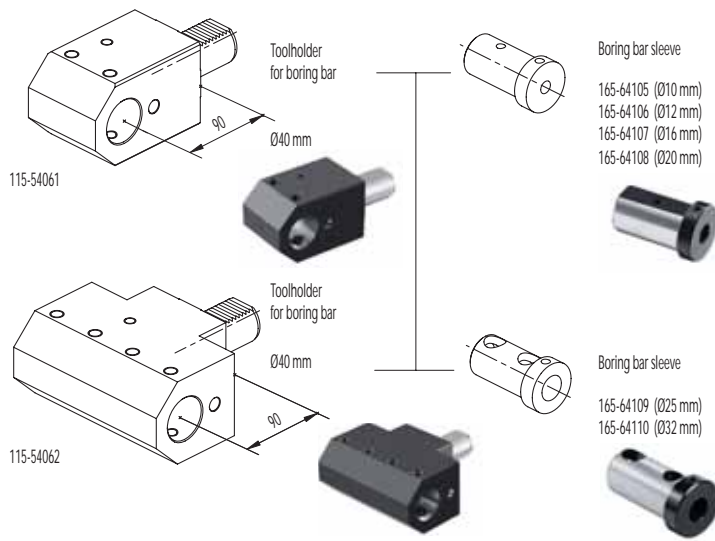
Blanking plug
140-30006 (HSK63A)
140-30007 (HSK100A)



TAKISAWA TMM-250 (VDI40)



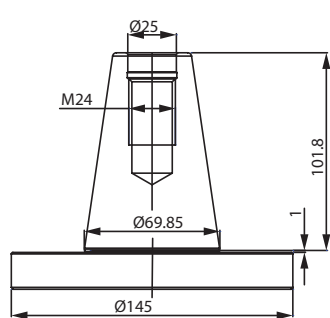
ACCESSORIES



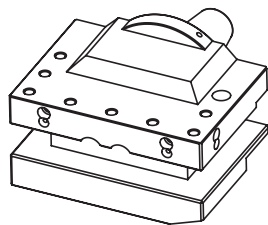


YOU JI

VTL1000,1200,1600,2000,2500
YV1000,1200,1600

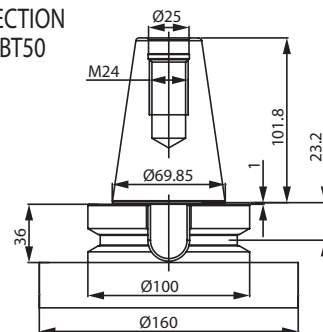


ATC series

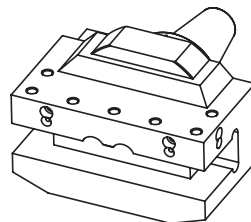


153-11501 32x32 L160

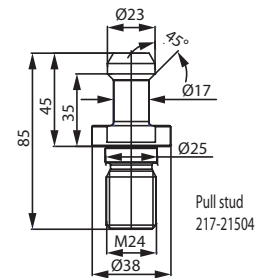
CONNECTION
MASBT50



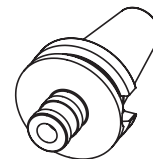
ATC+C series
(Turning tool)



153-11504 32x32 L160

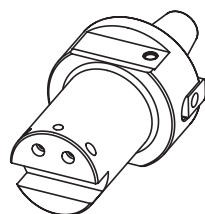


ATC+C series
(Driven tool)



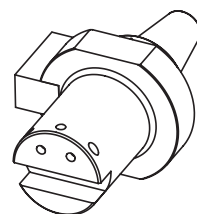
M3320 BT50H81GR1.DC
M3430 BT50H102GR2.DC
M3530 BT50H135GR3.DC

Pull stud
217-21504

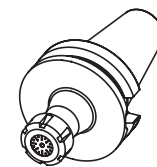


151-11505 25x25 L200

Face and O.D.
cutting holder

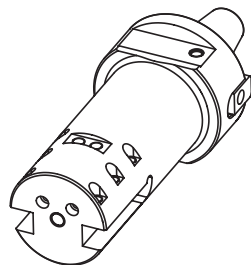


151-11504 25x25 L200



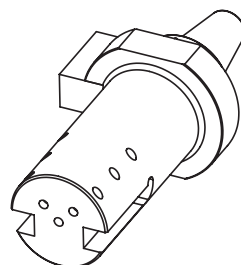
ER collet chuck

214-31438 BT50H100ER25 AD+B
214-31434 BT50H100ER32 AD+B
214-31436 BT50H100ER40 AD+B

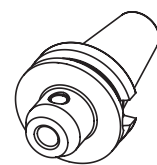


152-11507 25x25 L300

Face and I.D.
cutting holder

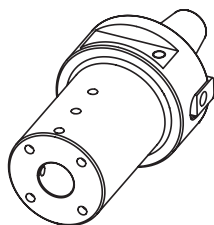


152-11508 25x25 L300



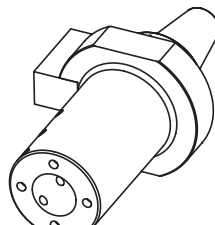
End mill holder

213-11430 BT50H80WE20 AD+B
213-11431 BT50H100WE25 AD+B
213-11432 BT50H105WE32 AD+B
213-11433 BT50H120WE40 AD+B

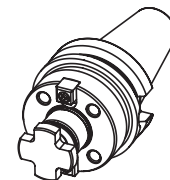


155-21503 D40 L215
155-21506 D60 L215
155-21505 D60 L315

Toolholder
for boring bar



155-21510 D40 L250
155-21508 D50 L250
155-21509 D60 L250



Facemill holder

216-71520 BT50H60D32F
216-21502 BT50H70D40
216-21503 BT50H80D60