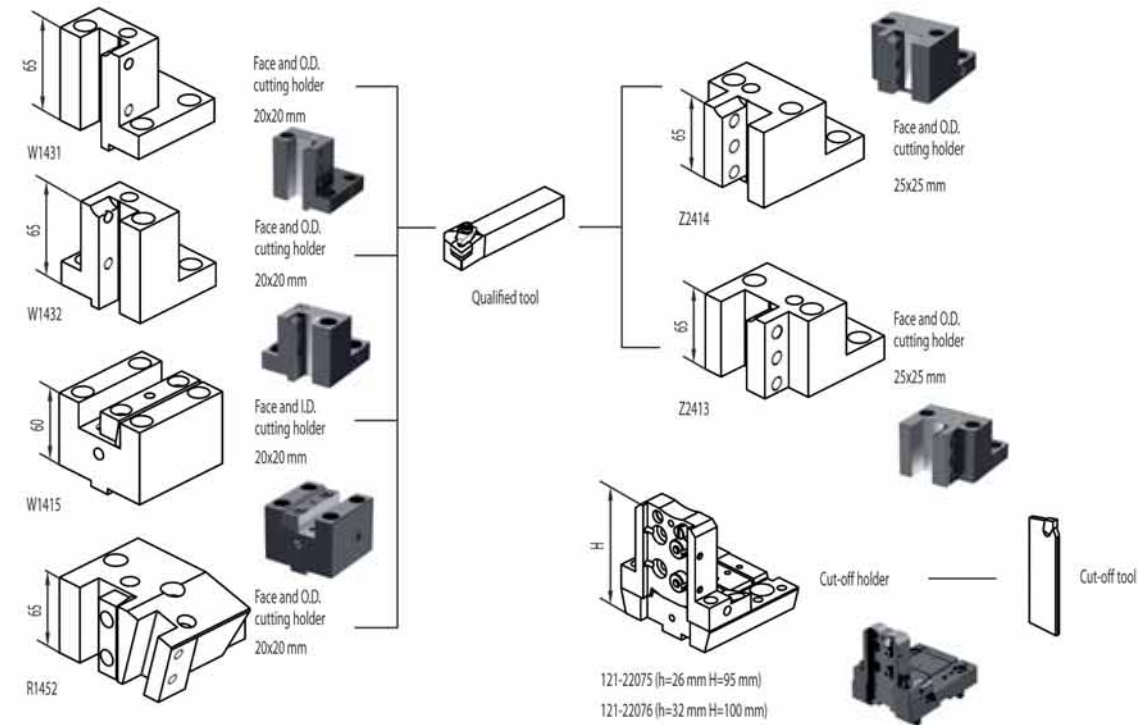


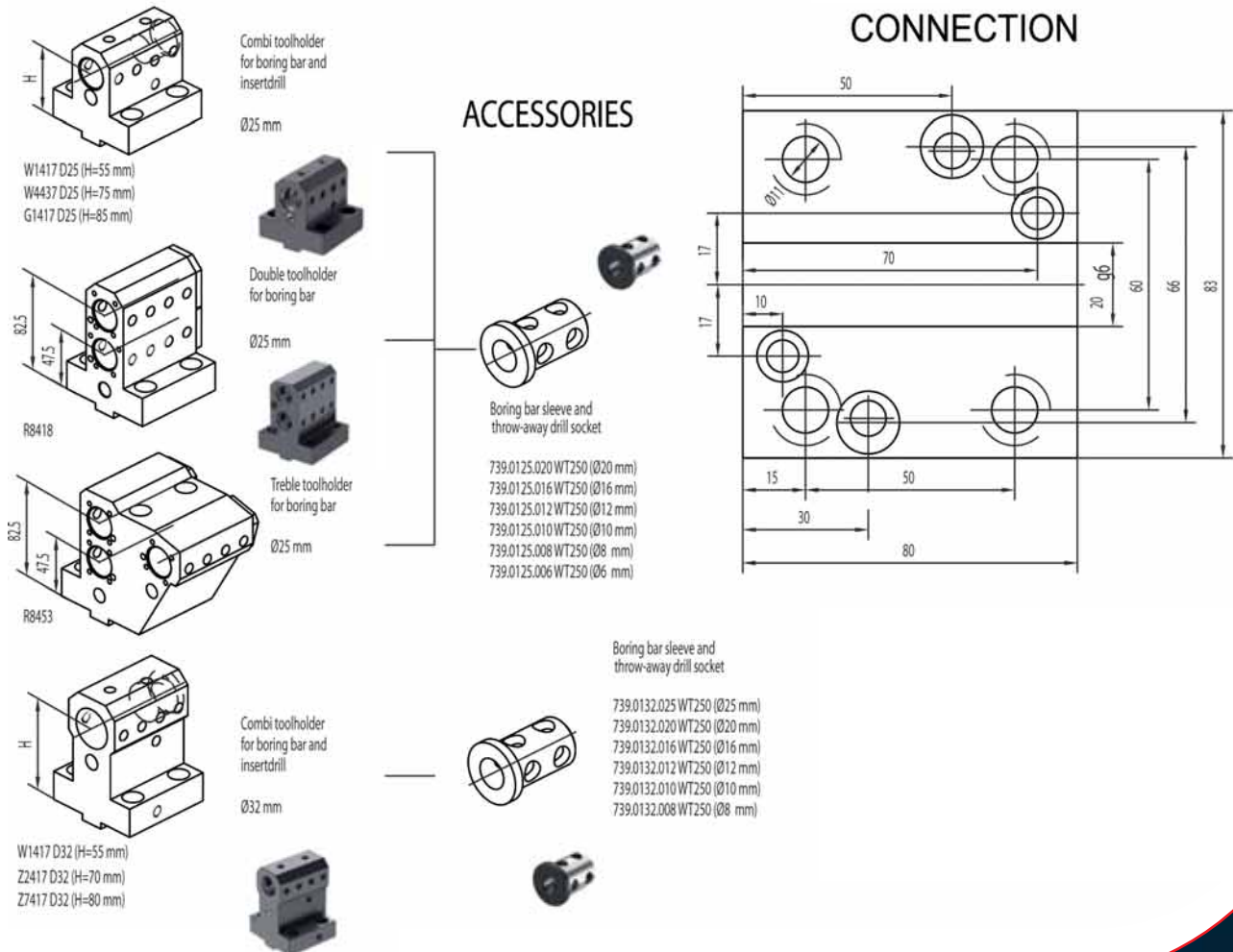
NAKAMURA TOME

WT150 - WTW150 - WTS150
WT250 - SC150 - SC250



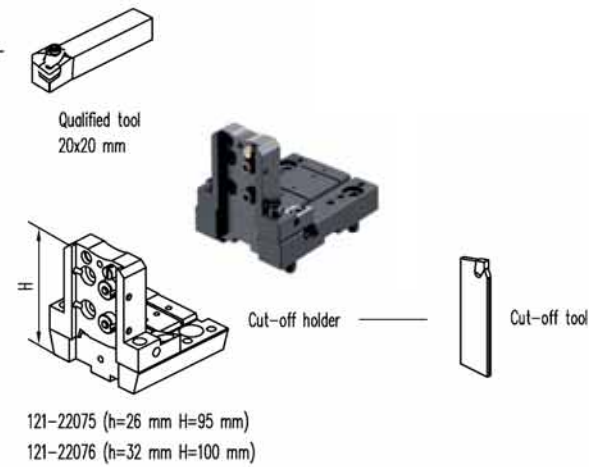
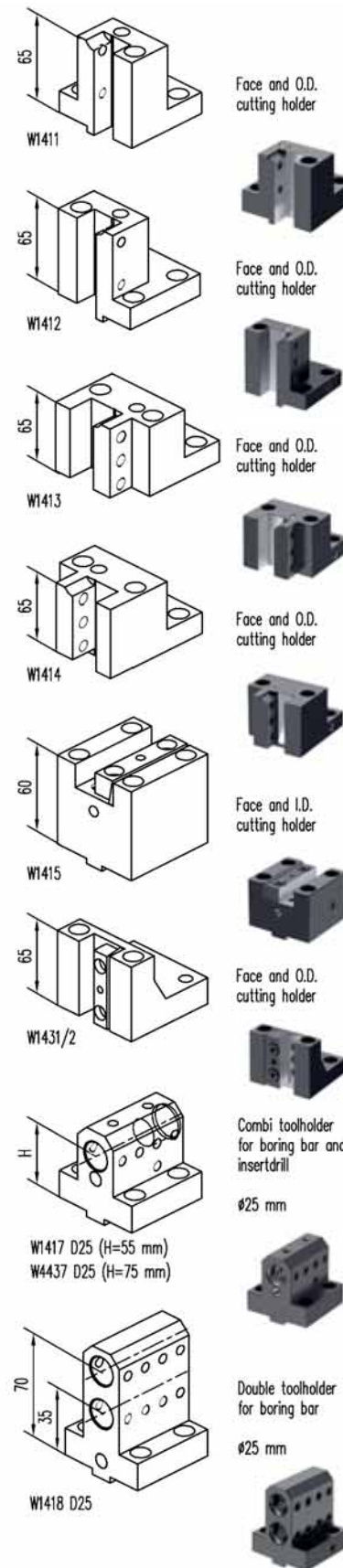
CONNECTION

ACCESSORIES



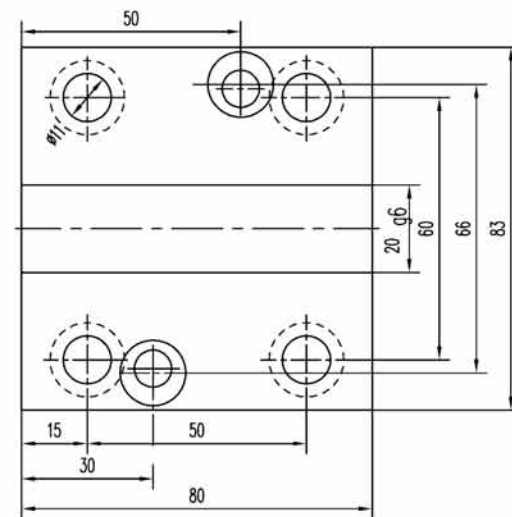


NAKAMURA TOME TW10

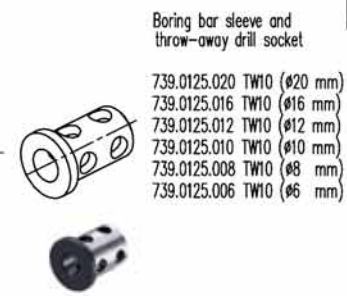


121-22075 (h=26 mm H=95 mm)
121-22076 (h=32 mm H=100 mm)

CONNECTION

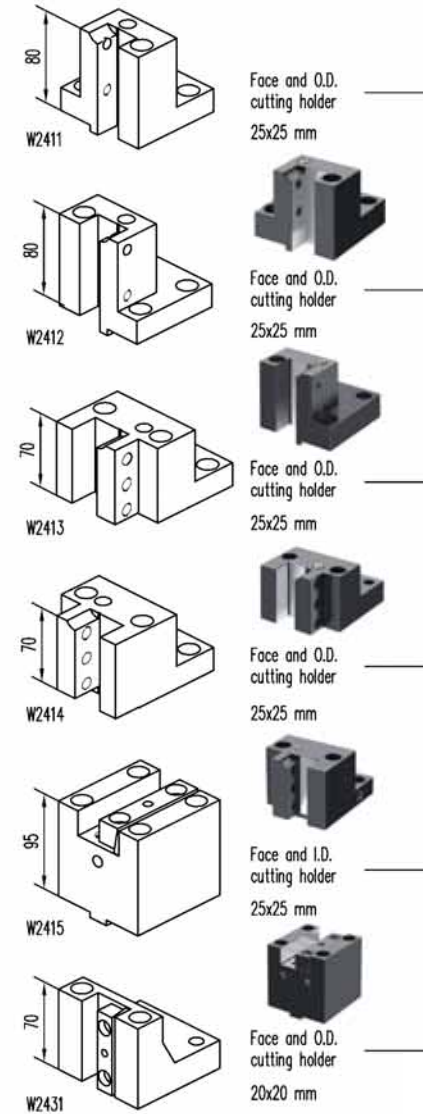


ACCESSORIES

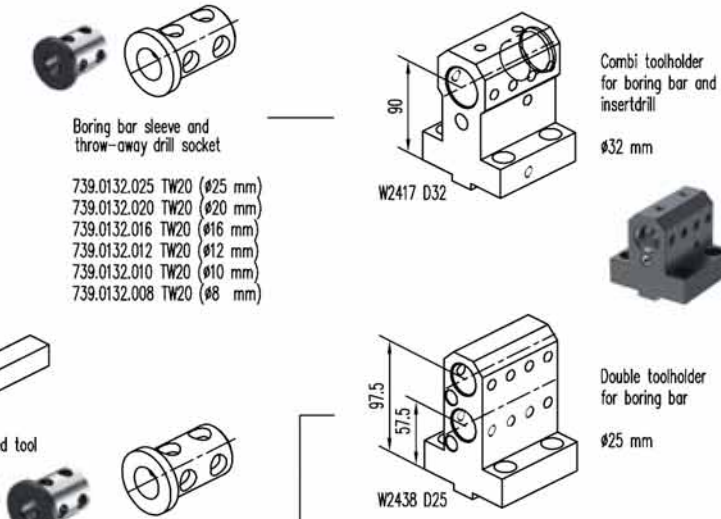


Boring bar sleeve and throw-away drill socket
739.0125.020 TW10 (#20 mm)
739.0125.016 TW10 (#16 mm)
739.0125.012 TW10 (#12 mm)
739.0125.010 TW10 (#10 mm)
739.0125.008 TW10 (#8 mm)
739.0125.006 TW10 (#6 mm)

NAKAMURA TOME TW20 - WT300 - SC300

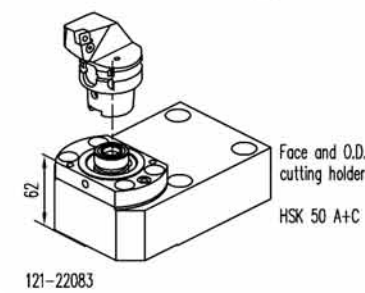
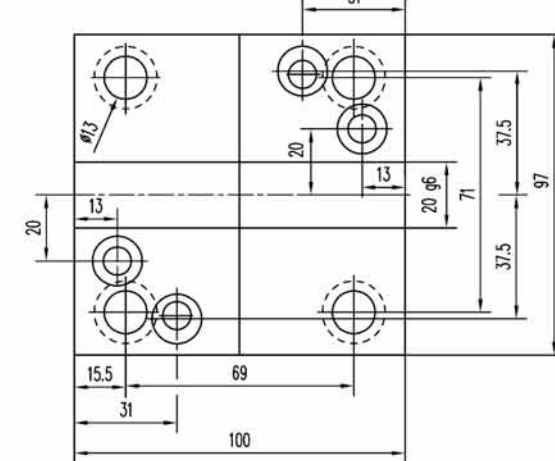


ACCESSORIES



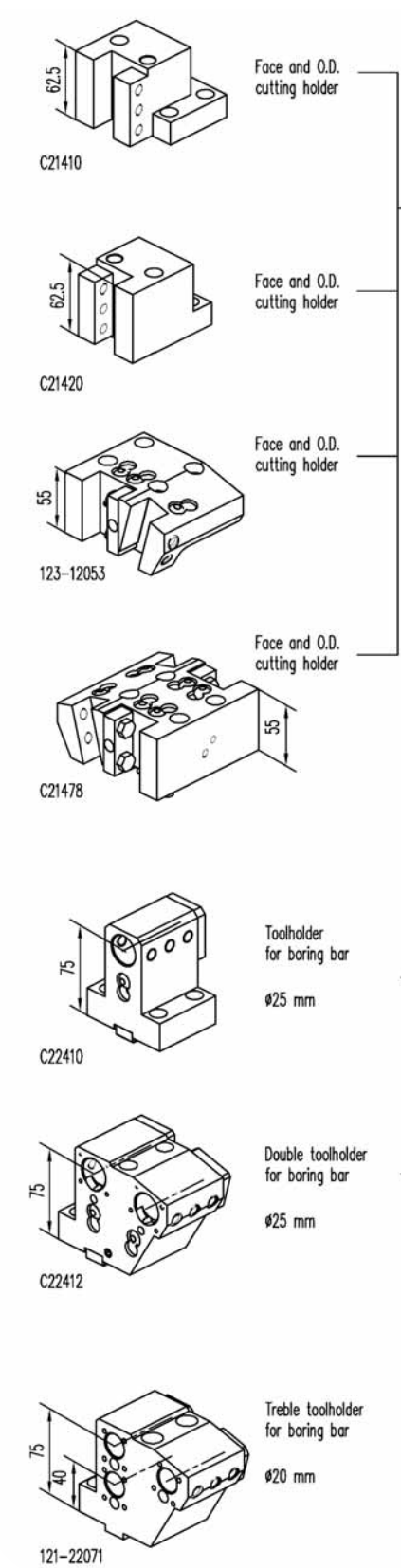
Boring bar sleeve
739.0125.020 TW20 (#20 mm)
739.0125.016 TW20 (#16 mm)
739.0125.012 TW20 (#12 mm)
739.0125.010 TW20 (#10 mm)
739.0125.008 TW20 (#8 mm)
739.0125.006 TW20 (#6 mm)

CONNECTION

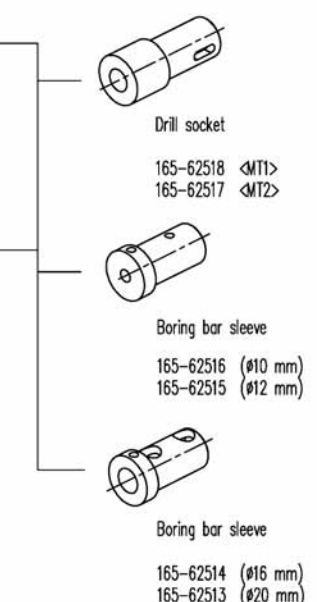


121-22083

NAKAMURA TOME WT100

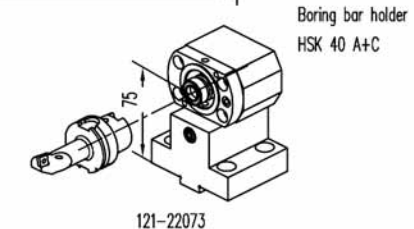
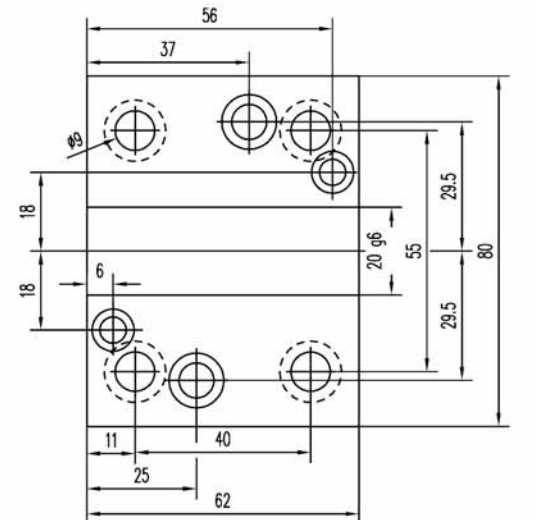


ACCESSORIES



Drill socket
165-62518 <MT1>
165-62517 <MT2>
Boring bar sleeve
165-62516 (#10 mm)
165-62515 (#12 mm)
Boring bar sleeve
165-62514 (#16 mm)
165-62513 (#20 mm)

CONNECTION



121-22073